



OBSTRUCTION LIGHT

SPECIFICATIONS

Obstruction Lights are available in single lamp and double lamp configuration. The double lamp unit, where required, can be supplied with a transfer relay of the single pole, single throw, normally closed type. Only one lamp in the double obstruction light is energized when a transfer relay is used. Upon failure of the first lamp, the relay will transfer power to the second or standby lamp. The relay is mounted within the fixture base. Flasher available for tower use.

The lights are available with $\frac{3}{4}$ " and 1" hubs, bottom entrance (standard) or if needed a side entrance arrangement.

FIXTURE HOUSING

Cast Aluminum

LENS

Red Fresnel, flange type.
(other colors are available)

GASKET

Especially compounded for the application.

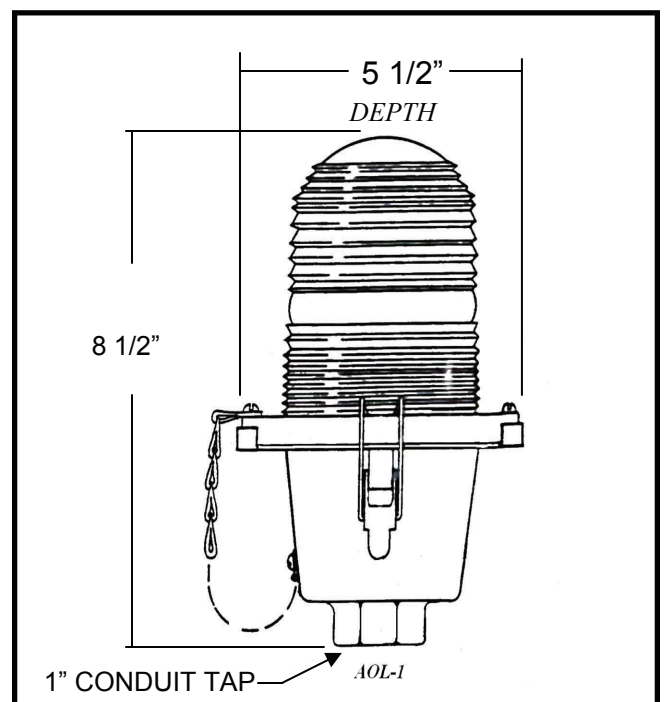
FASTENERS

Stainless steel spring latches with retaining chain.

SOCKET

Medium base porcelain.

APPROVED UNDER FAA SPEC. L-810.





SINGLE OBSTRUCTION LIGHT

CATALOG NO.	DESCRIPTION
AOL-1	Red, single head, 1" bottom hub, 1 medium base socket

OPTIONS

¾"	Hub size ¾" instead of 1"
SE	Side entry instead of bottom entry
YL	Yellow lens in place of red lens
BL	Blue lens in place of red lens
CL	Clear lens in place of red lens
BF	Beacon flasher
PC	Photo control (FAA & FCC approved, surge protected)

CATALOG NO.	DESCRIPTION
-------------	-------------

AOL-1019	Socket
AOL-1020	Red lens
AOL-1027	Blue lens
AOL-1028	Yellow lens
AOL-1029	Clear lens
AOL-1039	Lens holder & chain
AOL-1095	Replacement gasket
ALH-1161	116 watt, 120 volt lamp
ALH-1162	116 watt, 125 volt lamp

FAA Type: L-810 Steady burning obstruction light ICAO Type: Low-Intensity Obstacle light

Adra obstruction lights are designed for the lighting of television, radio, communications, microwave, transmission line towers, and other obstructions to aerial navigation as specified by the FAA, FCC, ICAO, DGAC of Mexico and Transport Canada.

PHOTOMETRIC SPECIFICATIONS

Beam Spread:	360 Horizontal 3 Minimum Vertical
Effective Intensity:	s32 Candela

MECHANICAL SPECIFICATIONS

Base Material:	Cast Aluminum with aviation orange, powdercoat paint finish.
Lens:	Heat resistant glass, Red (standard)
Dimensions:	9" High 5 1/2" in Diameter 230mm H x 140mm W x 140mm L
Weight:	4 Pounds 1,8 Kg
E P A :	0.76 SQ. FT.