



DOUBLE OBSTRUCTION LIGHT

SPECIFICATIONS

Obstruction Lights are available in single lamp and double lamp configuration. The double lamp unit, where required, can be supplied with a transfer relay of the single pole, single throw, normally closed type. Only one lamp in the double obstruction light is energized when a transfer relay is used. Upon failure of the first lamp, the relay will transfer power to the second or standby lamp. The relay is mounted within the fixture base. Flasher available for tower use. The lights are available with $\frac{3}{4}$ " and 1" hubs, bottom entrance (standard) or if needed a side entrance arrangement.

FIXTURE HOUSING

Cast Aluminum

LENS

Red Fresnel, flange type. (other colors are available)

GASKET

Especially compounded for the application.

FASTENERS

Stainless steel spring latches with retaining chain.

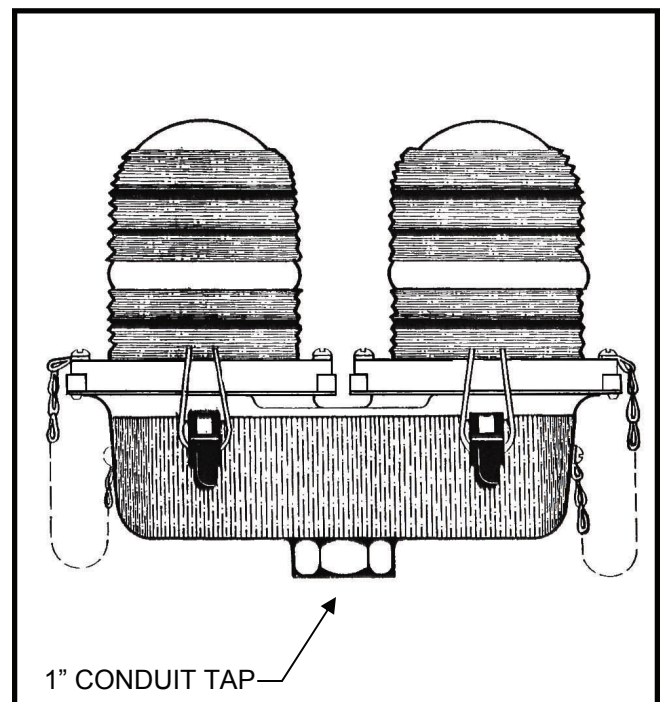
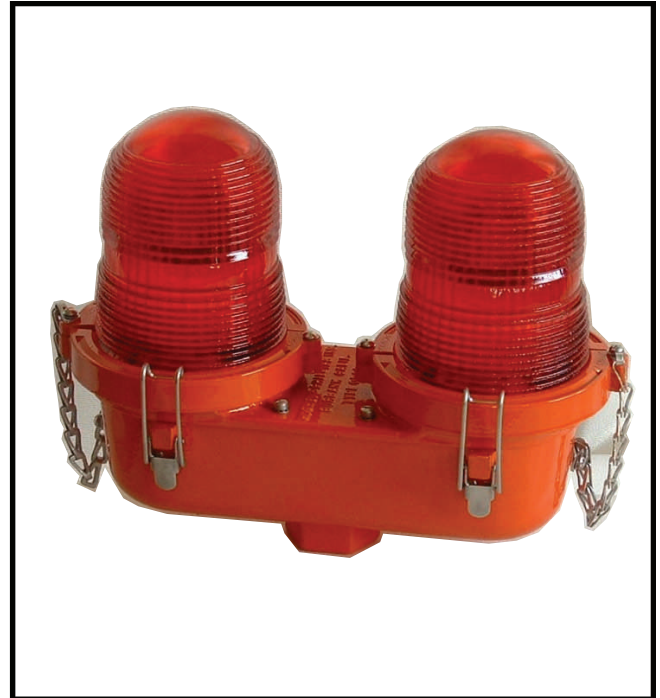
SOCKET

Medium base porcelain. (2)

NOTE:

When using the Transfer Relay the minimum wattage lamp must be 116 watts each

APPROVED UNDER FAA SPEC. L-810.





DOUBLE OBSTRUCTION LIGHT

CATALOG NO.

AOL-2
AOL-2-TR
AOL-2-TR-PC

DESCRIPTION

1" conduit entrance
1" conduit entrance with transfer relay
1" conduit entrance with transfer relay and Photo Control

OPTIONS

$\frac{3}{4}$ " Hub size $\frac{3}{4}$ " instead of 1"
SE Side entry instead of bottom entry
YL Yellow lens in place of red lens
BL Blue lens in place of red lens
CL Clear lens in place of red lens
TR Transfer Relay
BF Beacon flasher
PC Photo control (FAA & FCC approved, surge protected)

CATALOG NO.

AOL-1019
AOL-1020
AOL-1027
AOL-1028
AOL-1029
AOL-1039
AOL-1095
ALH-1161
ALH-1162

DESCRIPTION

Socket (Two Required)
Red lens (Two Required)
Blue lens (Two Required)
Yellow lens (Two Required)
Clear lens (Two Required)
Lens holder & chain (Two Required)
Replacement gasket (Two Required)
116 watt, 120 volt lamp (Two Required)
116 watt, 125 volt lamp (Two Required)

FAA Type: L-810 Steady burning obstruction light ICAO Type: Low-Intensity Obstacle light

Adra obstruction lights are designed for the lighting of television, radio, communications, microwave, transmission line towers, and other obstructions to aerial navigation as specified by the FAA, FCC, ICAO, DGAC of Mexico and Transport Canada.

PHOTOMETRIC SPECIFICATIONS

Beam Spread: 360 Horizontal 3 Minimum Vertical
Effective Intensity: s32 Candela

MECHANICAL SPECIFICATIONS

Base Material: Cast Aluminum with aviation orange, powdercoat paint finish.
Lens: Heat resistant glass, Red (standard)
Dimensions: 9 1/4"H 5 1/2"W 11 1/2"L 235mm H x 140mm W x 292mm L
Weight: 8.25 Pounds 3.75 Kg
E P A : 1.60 SQ. FT.