



LOW LEVEL LIGHT

SPECIFICATIONS

BODY

Rugged die cast aluminum with 2x 1/2" N.P.T hubs in the bottom.

LENS

Molded thermal Fresnel glass.

SOCKET

Porcelain medium base rated 4KV.
Fluorescent is 4-pin holder.

BALLAST

H.I.D. or Fluorescent,
120V. Normal Power Factor (N.P.F.)

GASKET

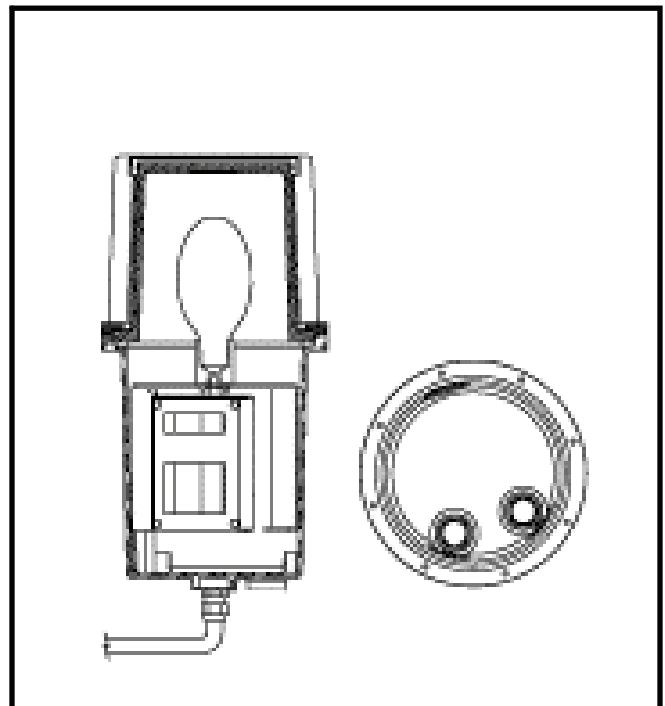
Fixture is fully gasketed

FINISH

Dark bronze Powdercoat.

Low level lights are used to illuminate pathways and entrances, or delineate boundaries. Used along pathways or in front of entrances, the low level lights guides people safely to and from parking areas and building entrances. Placed around courtyards or atrium perimeter, it rings the area with light and defines its boundaries.

Dimensions are subject to change without notice





LOW LEVEL LIGHT

CAT. NO.	LAMP	LENS	BODY	FINISH
TLI-534-Z-120	A 23	Prismatic Glass	Aluminum	Powdercoat
TLF-534-9-Z-120	PL-9	Prismatic Glass	Aluminum	Powdercoat
TLF-534-13-Z-120	PL-13	Prismatic Glass	Aluminum	Powdercoat
TLF-534-28-Z-120	PL-28	Prismatic Glass	Aluminum	Powdercoat
TLF-534-32-Z-120	PL-32	Prismatic Glass	Aluminum	Powdercoat
TLF-534-42-Z-120	PL-42	Prismatic Glass	Aluminum	Powdercoat
TLM-534-50MH-Z-120	ED 17	Prismatic Glass	Aluminum	Powdercoat
TLM-534-70MH-Z-120	ED 17	Prismatic Glass	Aluminum	Powdercoat
TLM-534-50HPS-Z-120	ED 17	Prismatic Glass	Aluminum	Powdercoat

FINISH:

ADD A—Aluminum B—Black G —Green W—White Z —Bronze

Custom Colors Available; Consult factory

ACCESSORIES DESCRIPTION

534-HSS House Side Shield