



# GRADE MOUNTED UP LIGHT

## SPECIFICATIONS

### HOUSING

Single piece compression molded fiberglass reinforced polyester composite housing with two 3/4" NPT Conduit entrances in the J Box

### ROCK GUARD

Single piece directional compression molded unit for lens protection and glare control

### LENS & GASKET

Tempered clear glass convex lens with high temperature silicone gaskets insure a long life and sure seal.

### FASTENERS

Tamper proof corrosion resistant stainless steel

### WIRING

Fixture is Pre-wired with 200C wire

### LAMP

Lamps available are 50 to 175 watt E 17 Par 38 / R 40 MV, MH, HPS 4 pin PL 18, 26,32 & 42 watt Fluorescent and 150 watt incandescent

### SOCKET

Medium base  
Heavy duty molded plastic for PL lamps

### AIMING

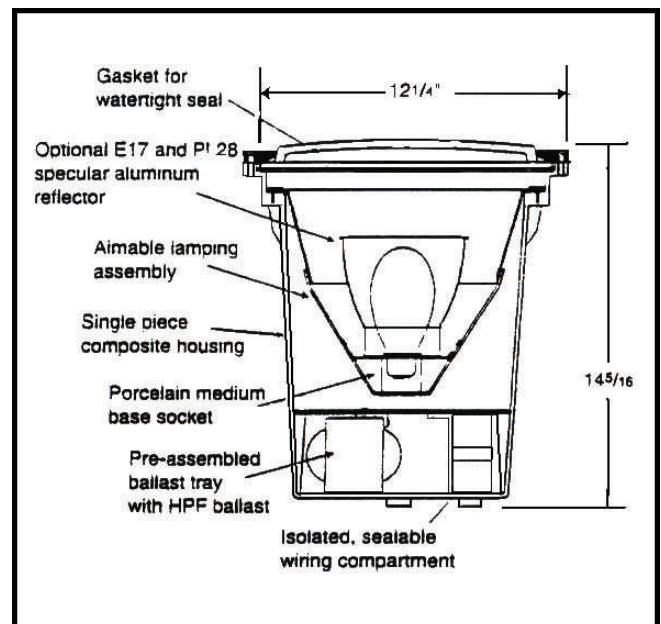
15 deg. Angular adjustment,  
360 deg. Horizontal rotation

### BALLAST

HID Mercury, Metal Halide, High Pressure Sodium  
And Fluorescent Electronic ballast configurations  
standard 120 or 277 volt

### ACCESSORIES

Aluminum shield  
Stainless Steel Trim Ring





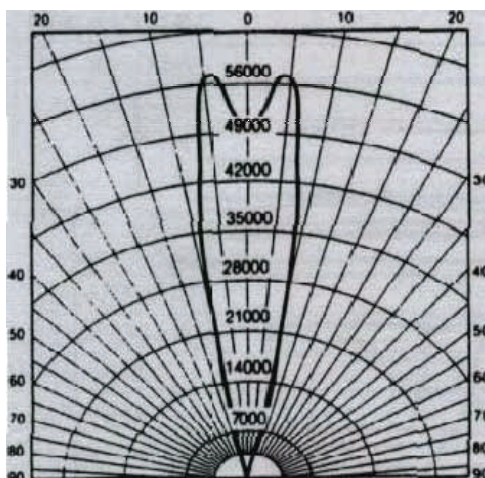
# TMA-UP LIGHT

CATALOG NUMBER	LAMP (NOT INCL)	VOLTS	REFLECTOR
TMA-4150-INC	PAR 38	120	NONE
TMA-4050-MH	PAR-38	120/277	NONE
TMA-4070-MH	PAR OR R	120/277	NONE
TMA-4100-MH	R-40	120/277	NONE
TMA-4150-MH*	R-40	120/277	NONE
TMA-4175-MH*	E-17	120/277	SP, FL, HOR
TMA-4100-MV	R-40	120/277	NONE
TMA-4175-MV*	R-40	120/277	NONE
TMA-4028	PLT	120	FL OR HORZ

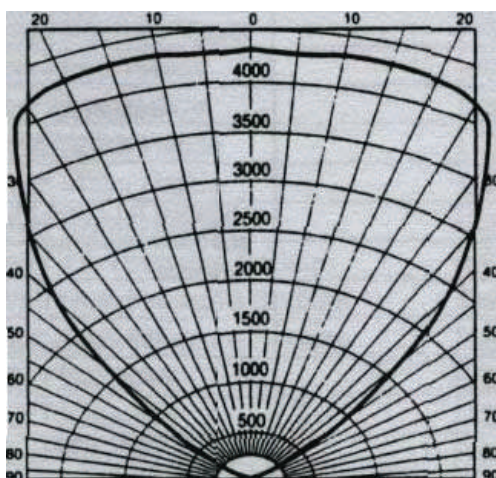
\*150 & 175 watt units are remote ballast only

## FACTORY INSTALLED OPTIONS:

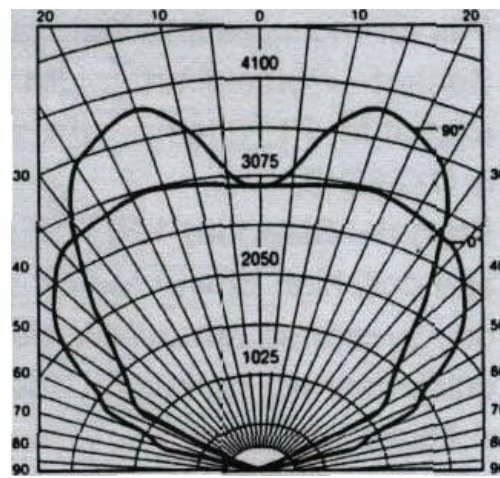
- TMA-4-XX REFLECTOR SPECIFY FL (FLOOD), SP (SPOT), HO (HORIZONTAL)
- TMA-4-RG ROCK GUARD
- TMA-4-DS SHIELD
- TMA-4-CPF CONCRETE POUR FRAME



Spot Reflector  
Vertical Lamp  
175 Watt MH



Flood Reflector  
Vertical Lamp  
175 Watt MH



Horizontal Reflector  
Horizontal Lamp  
175 Watt MH

$$FC = \frac{CD}{D^2}$$

FC= Footcandles  
CD= Centerline Candelas  
D= Distance from Lamp

$$FC = \frac{49,000}{20^2} \quad FC = 122.5 \text{ Footcandles}$$

Lamp	100W MV	175W MV	50W MH	70W MH	100W MH	175W MH
Multiplier	.31	.62	.21	.33	.52	1.0